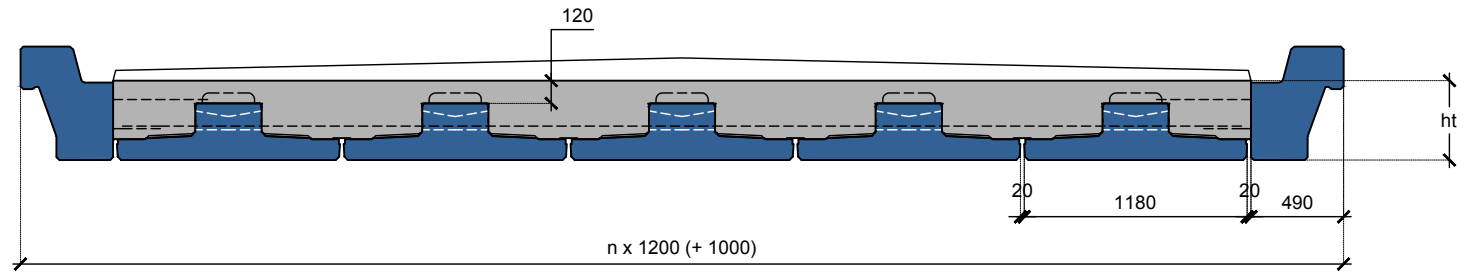
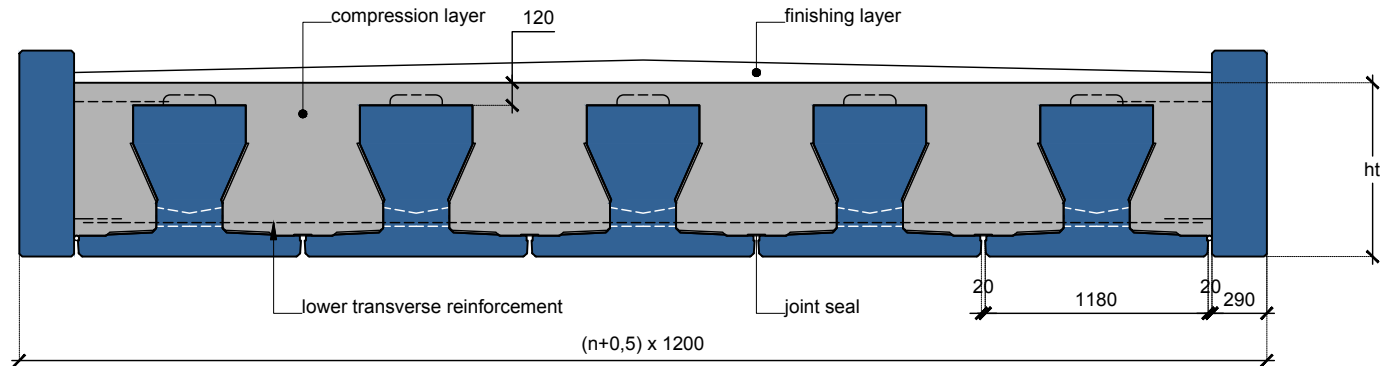


general cross-section SJP FLEX

SJP FLEX
300

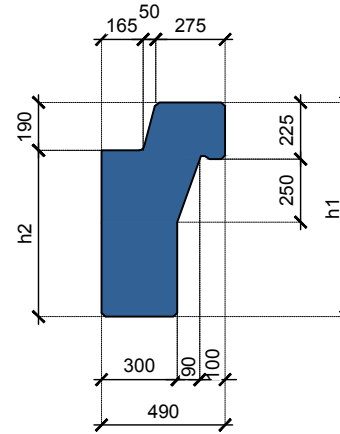


SJP FLEX
350 - 800



measurements & weights

type	dimensions			weights
	h [mm]	h ₁ [mm]	h ₂ [mm]	precast [kN/m]
SRP 900	900	425	710	7,3
SRP 850	850	375	660	6,9
SRP 800	800	325	610	6,5
SRP 750	750	275	560	6,1
SRP 700	700	225	510	5,7
SRP 650	650	175	460	5,4
SRP 600	600	125	410	5,0
SRP 550	550	75	360	4,6



SRP 550 - 900

section parameters (exclusive reinforcement)

	precast section (EP)		
	A _{EP} ·10 ³ [mm ²]	z _{EP} [mm]	I _{EP} ·10 ⁹ [mm ⁴]
SRP 900	287	460	18,6
SRP 850	272	434	15,6
SRP 800	257	408	13,0
SRP 750	242	382	10,7
SRP 700	227	355	8,6
SRP 650	212	329	6,9
SRP 600	197	302	5,4
SRP 550	182	274	4,2

principles:

concrete strength class precast: C60/75

section modulus (Precast Section EP) :

$$W_{EP,top} = I_{EP} / (h - z_{EP})$$

$$W_{EP,bottom} = I_{EP} / z_{EP}$$



geometrics:

- standardized beamwidth, effective width: 1,2 m
- statically determined construction
- angle of screwness (crossing angle): 90° (perpendicular)

concrete strength classes:

- precast concrete: C60/75
- compression layer: C35/45

codes used for testing concrete construction

- NEN-EN1990 including National Annex
- NEN-EN1992-1-1 including National Annex
- NEN-EN1992-2 including National Annex

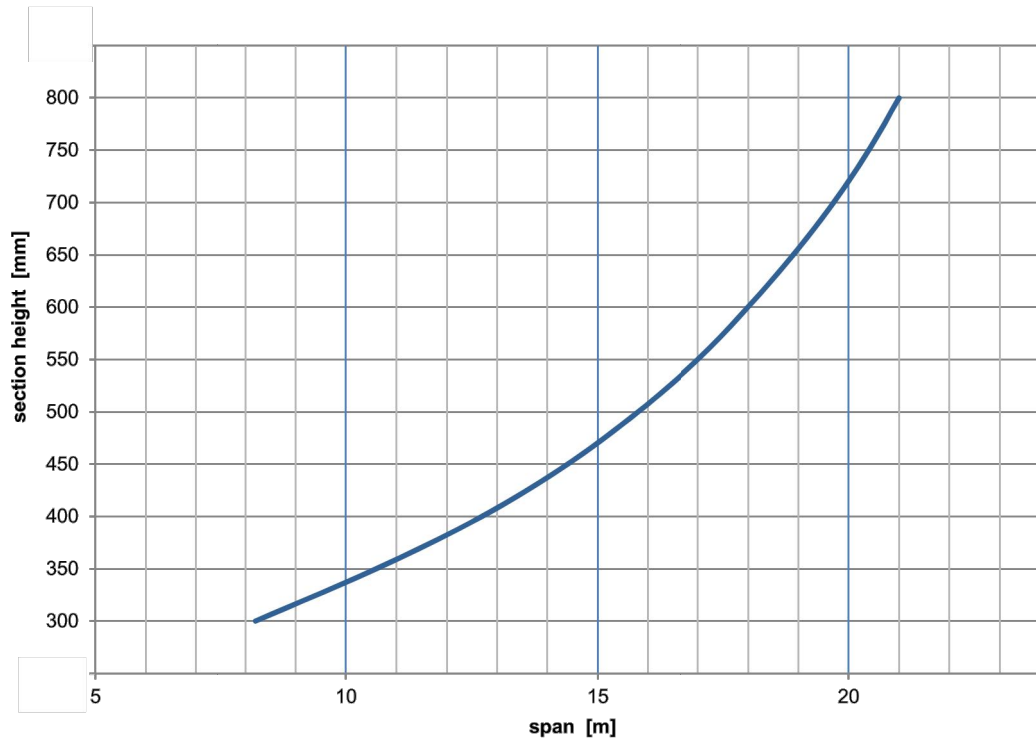
general starting point calculation:

- consequences class: CC3
- design life: 100 years
- environmental class: XD3

vehicular loads:

- thickness asphalt layer conform local codes (ROK 1.3)
- edge load 8,5 kN/m
- vehicular loads conform NEN-EN 1991-2 including National Annex.
- vehicular load LM1, 1,4 m from edge, 3 or more lanes
- fatigue loads vehicular category 1
- camber-requirement conform local codes (ROK 1.3)

in the case of a deviating starting point, our design department can help you with finding a suitable solution.



WEBSITE_ENG - rev. A - dd. 12-06-2018